

# Panasonic



Wall-hanging bracket for Plasma Display (Adjustable angle type)

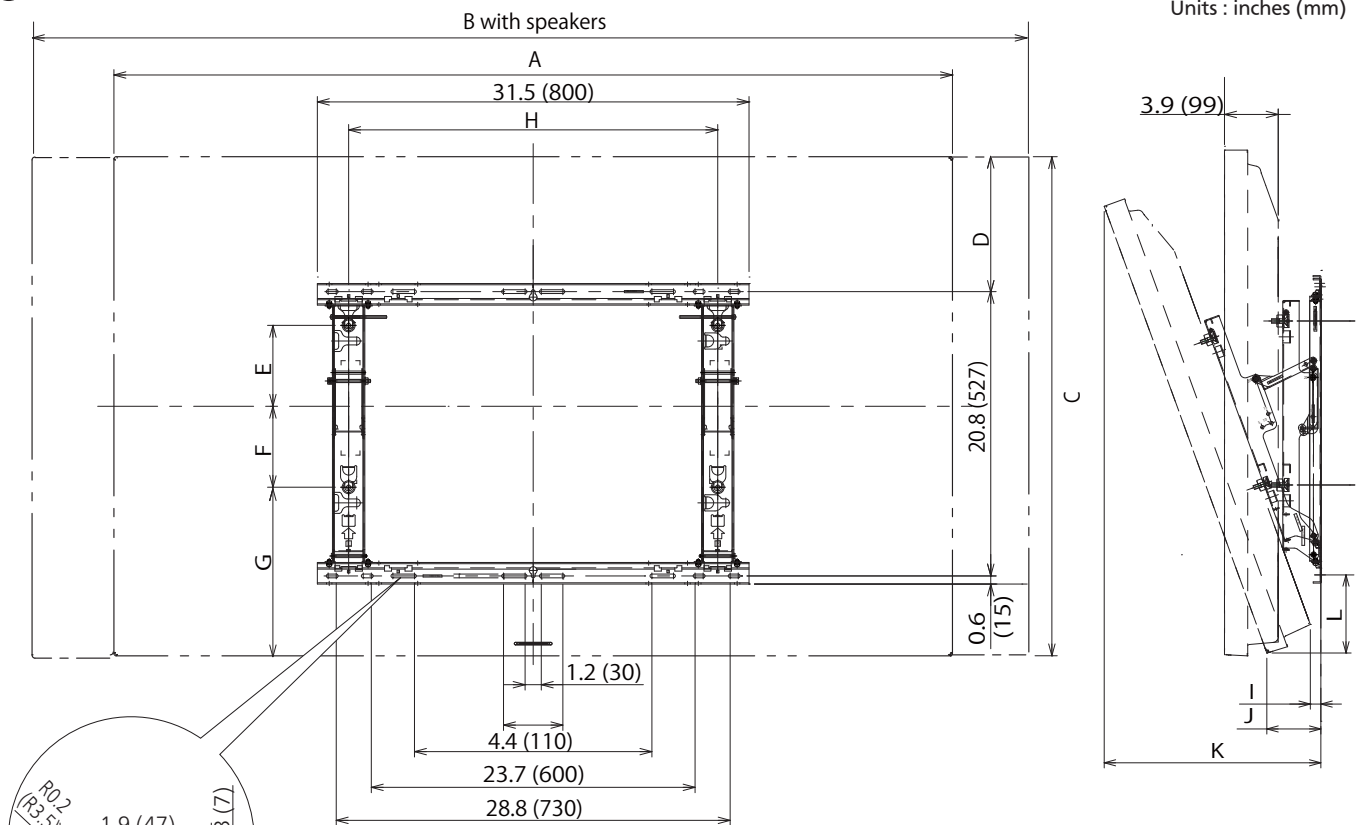
## TY-WK65PR20

### Product specification (design and specification subject to change without notice)

Dimensions (W x H x D)	31.5" x 21.9" x 2.8" (800 x 557 x 71 mm)
Weight	approx. 13.2 lbs. (6.0 kg)
Carton Dimensions (W x H x D)	33.4" x 5.5" x 9.3" (848 x 139 x 235 mm)
Gross weight	approx. 19.8 lbs (9.0 kg)
Accessories	- Allen head countersunk screw (4) - Dished toothed washer (4) - Insulation spacer (4) - Screw for securing unit (2) - Allen wrench (included tool) (1)
UPC Code	037988159772

### DIMENSIONS

Cautions: This drawing is not a scale  
Units : inches (mm)



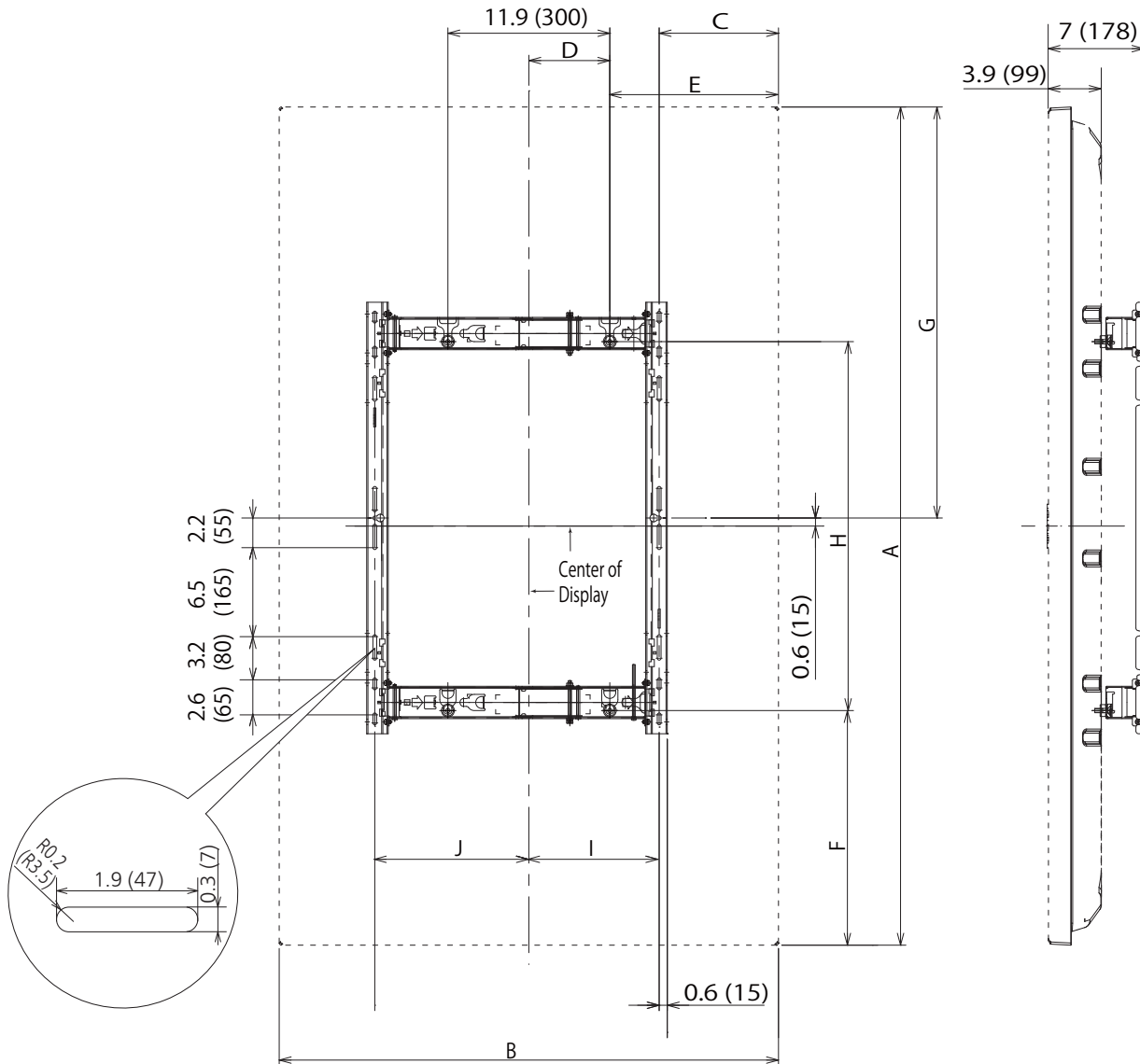
Model	Dimension	Attachment angel				
		0°	5°	10°	15°	20°
58"	A	55.1 (1399)				
	B	63.5 (1613)				
	C	33.2 (843)				
	D	10.7 (269.5)				
	E	3.6 (89.5)				
	F	8.3 (210.5)				
	G	8.3 (211)				
	H	19.7 (500)				
	I	3.2 (79)	3.0 (75)	2.8 (70)	2.5 (63.5)	2.3 (58)
	J	7.0 (178)	6.7 (171)	6.4 (162)	6.0 (152)	5.6 (141)
	K	7.0 (178)	9.6 (244)	12.1 (307)	14.5 (369)	16.9 (427)
	L	1.9 (46.5)	2.3 (59)	2.8 (72)	3.3 (84)	3.8 (96)

Model	Dimension	Attachment angel				
		0°	5°	10°	15°	20°
65"	A	61.2 (1554)				
	B	69.1 (1754)				
	C	36.5 (925)				
	D	9.9 (250)				
	E	5.9 (150)				
	F	5.9 (150)				
	G	12.3 (312.5)				
	H	27.0 (684)				
	I	3.2 (79)	2.6 (65)	2.0 (51)	1.4 (36)	0.8 (20.5)
	J	7.0 (178)	6.4 (161)	5.7 (144)	4.9 (125)	4.2 (105)
	K	7.0 (178)	9.5 (242)	12.0 (304)	14.3 (364)	16.6 (421)
	L	5.9 (149)	6.3 (160)	6.8 (171.5)	7.2 (182)	7.5 (191)

\* Applicable for 20 series and future models.

**DIMENSIONS**

Cautions: This drawing is not a scale  
Units : inches (mm)



Dimension	Model	
	58"	65"
A	55.1 (1399)	61.2 (1554)
B	33.2 (843)	36.5 (925)
C	9.5 (240.5)	8.7 (222)
D	3.6 (89.5)	5.9 (150)
E	13.1 (332)	12.3 (312.5)
F	17.7 (449.5)	17.2 (435)
G	27.0 (684.5)	30.0 (762)
H	19.7 (500)	27.0 (684)
I	7.2 (181)	9.5 (241.5)
J	13.7 (346)	11.3 (285.5)